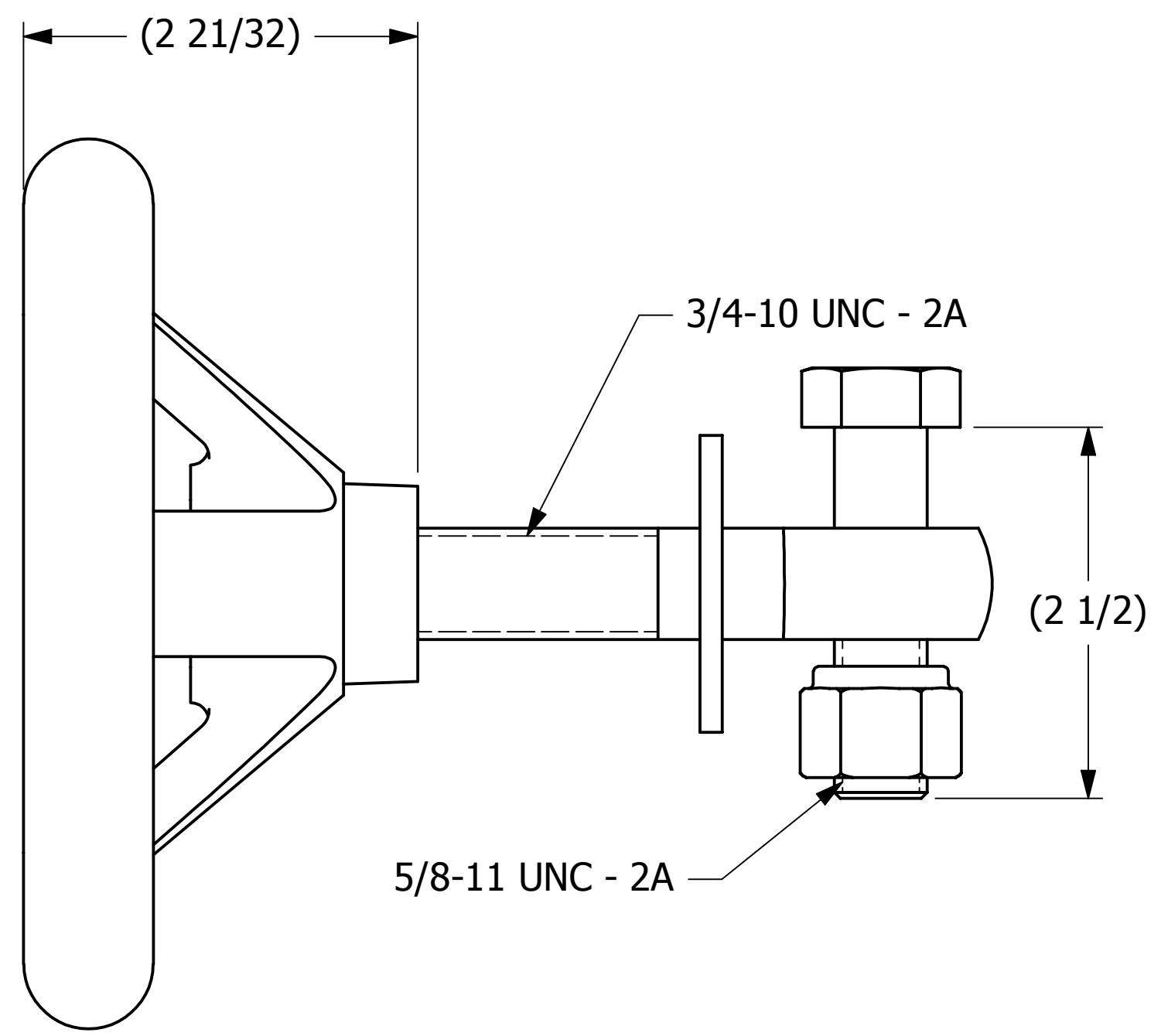
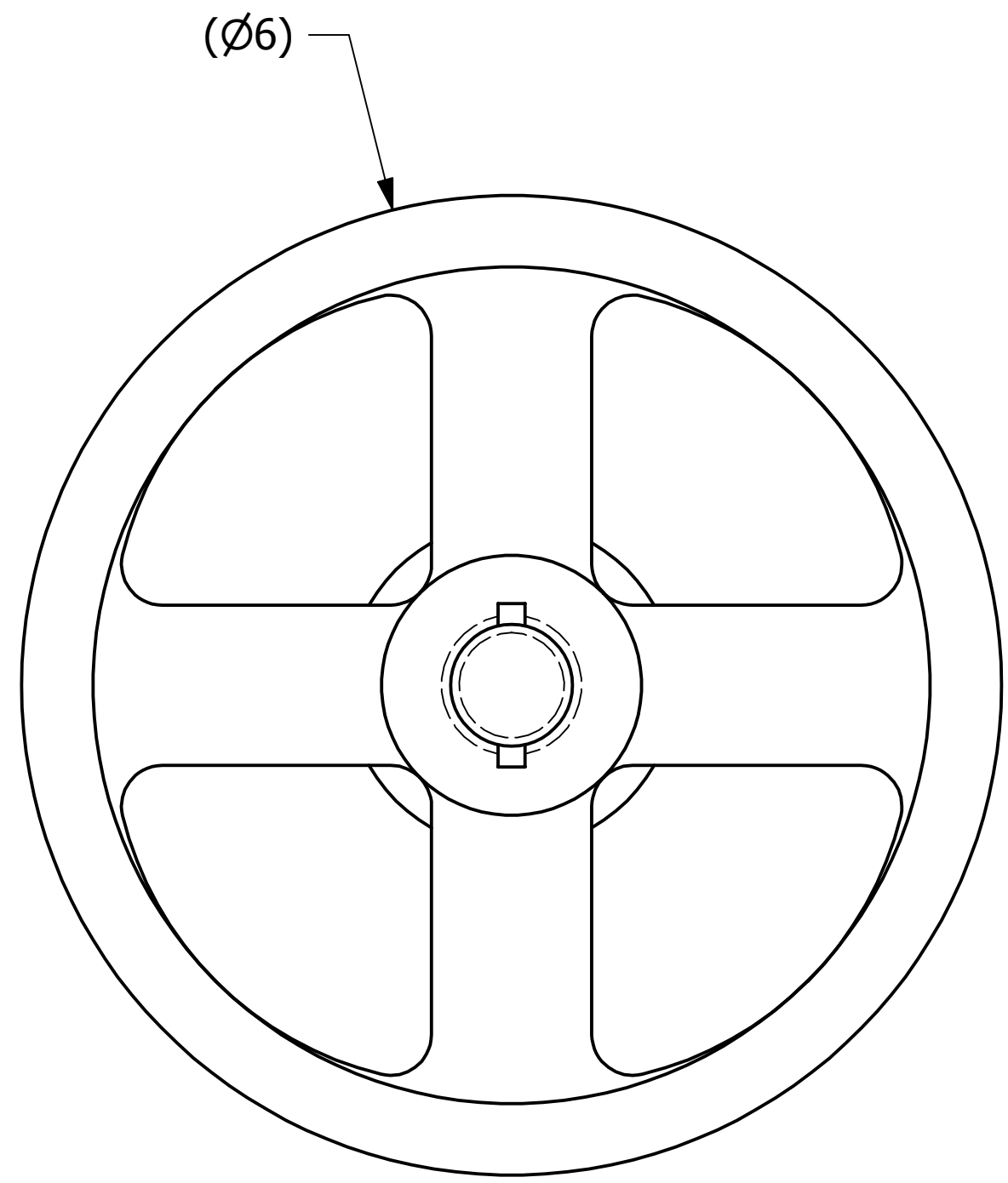


SALES DRAWING

SALES DRAWING



NOTE:
HANDWHEEL IS ALUMINUM. HARDWARE IS CARBON STEEL.

REV	BY	DATE	DESCRIPTION
C	BRW	7-6-95	EYEBOLT WAS Ø2.25 OD
B	ACC	6-14-95	REMOVE ROLL PIN, ADD RIVET AND WASHER
A	BRW	11-5-94	MOVE WASHER, CHANGE PIN

<small>UNLESS OTHERWISE SPECIFIED DIMENSIONAL TOLERANCES FRACTIONAL: ±1/16 X.XX: ±.03 X.XXX: ±.015 ANGLE: ±1° DEBURR ALL SHARP EDGES. ALL MACHINED SURFACES TO HAVE A 125 RMS FINISH UNLESS NOTED OTHERWISE.</small>	DRAWN BY:	BRW
	CHECKED BY:	
	PROTOTYPE BY:	BRW
	PROTOTYPE DATE:	6/26/1994
	APPROVED FOR PRODUCTION BY:	BRW
	PRODUCTION DATE:	6/26/1994

SALCO PRODUCTS, INC.		
PART NAME: AIRSLIDE HANDWHEEL ASSEMBLY		
MATERIAL: SEE NOTE		
PROJECT #:	SHEET #: 1 OF 1	SCALE: 1:1
DRAWING #: C5193	PART #: GA20HWA	

THIS PRINT, PROPERTY OF SALCO PRODUCTS INC., CONTAINS PROPRIETARY INFORMATION AND MUST NOT BE COPIED, REPRODUCED, OR USED DETRIMENTALLY TO OUR INTEREST.

